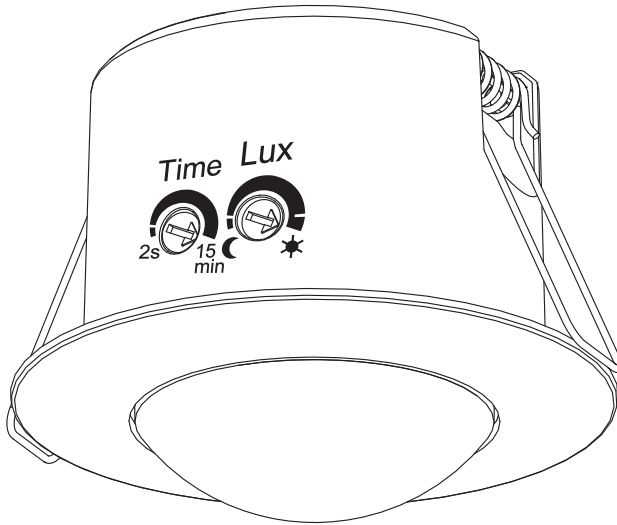
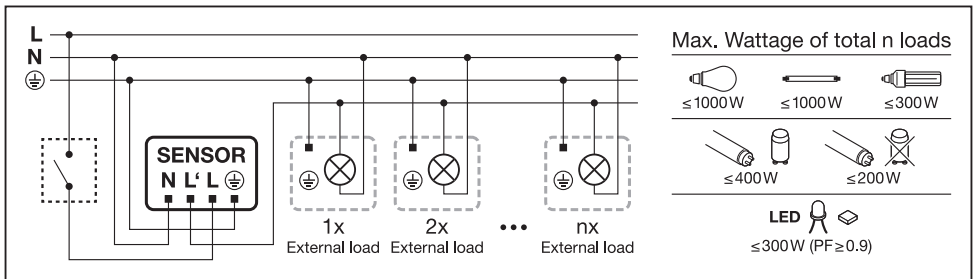
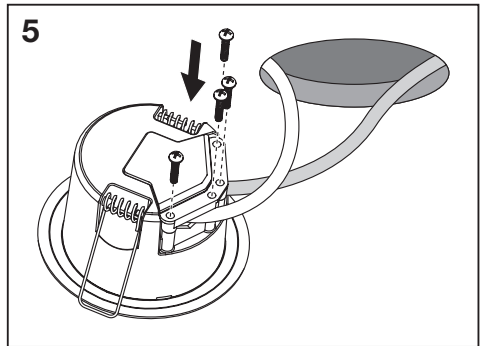
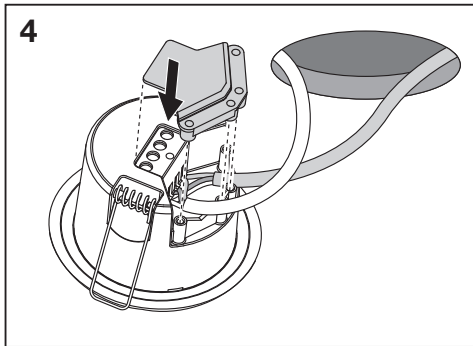
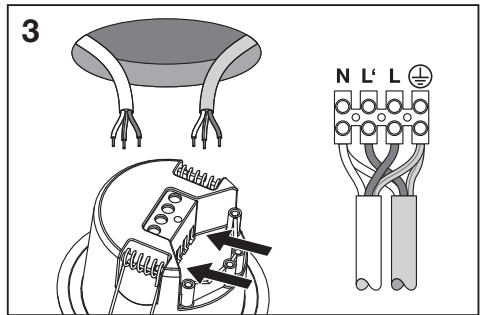
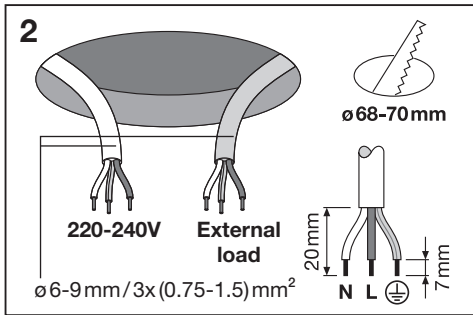
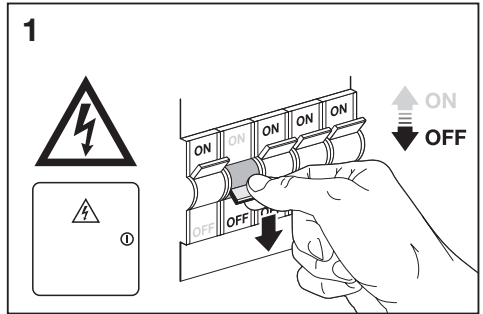
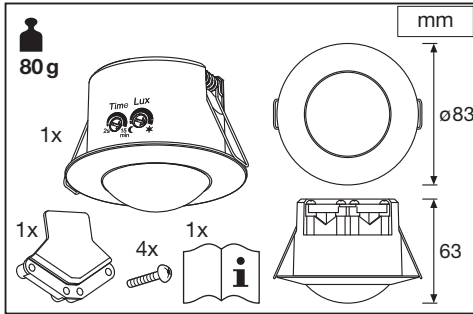
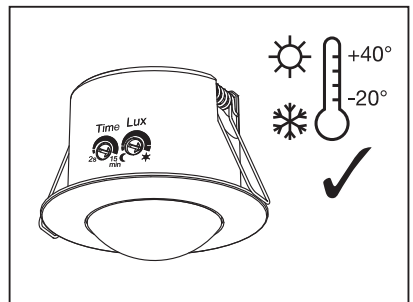
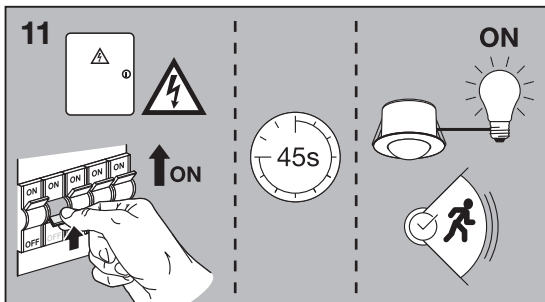
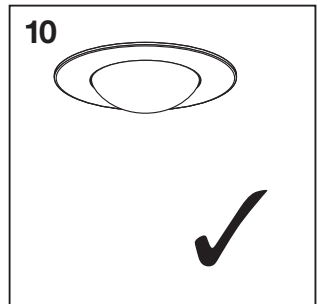
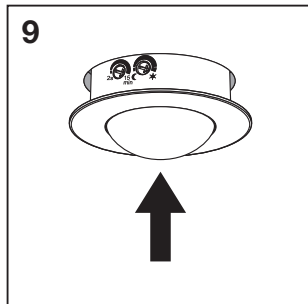
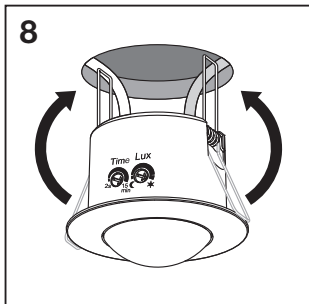
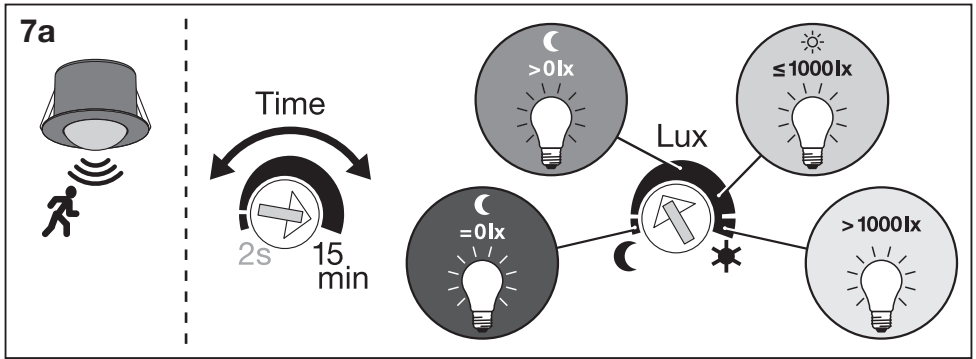
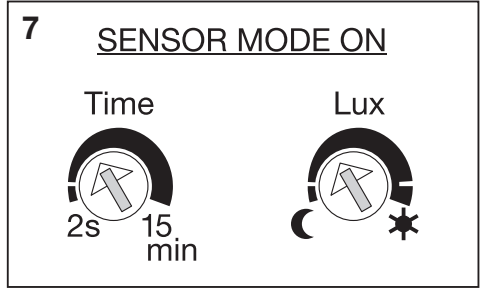
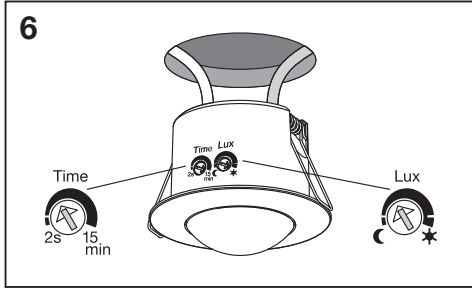

SENSOR CEILING FLUSH

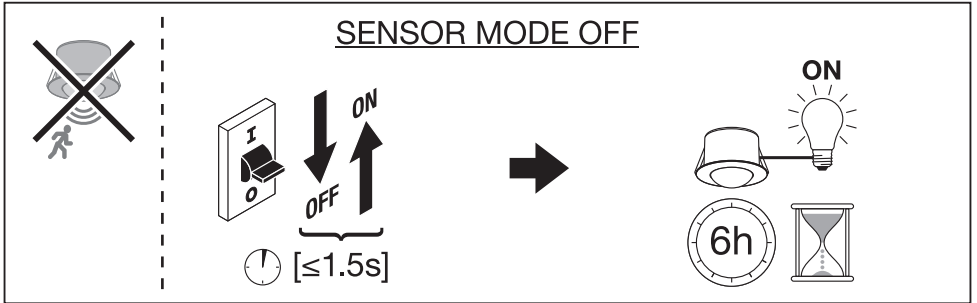
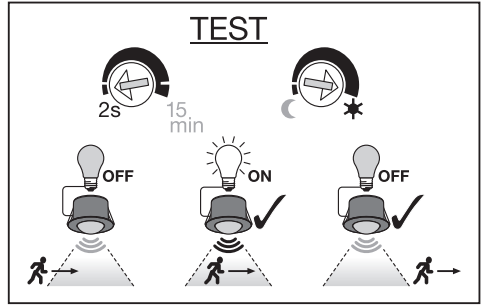
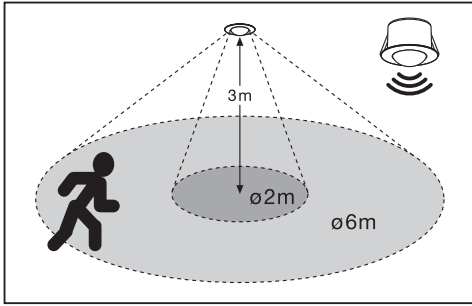


	EAN	IP	IK	Temp. (°C)	V _{AC}	Hz
SENSOR CEILING FLUSH 360DEG IP20 WT	4058075240315	20	05	-20...+40	220-240V	50/60 Hz

SENSOR CEILING FLUSH







C10449057
G11127242
06.10.2021



LEDVANCE GmbH
Steinerne Furt 62
86167 Augsburg, Germany
www.ledvance.com